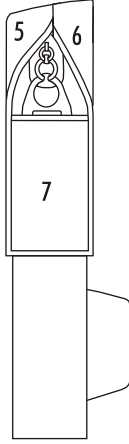
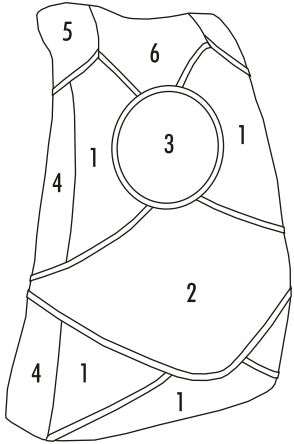


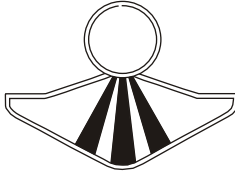
Racer Mini Rig Bag

School Bag Size

Micro Rig Size



3 Stripes Midflap & Hat \$75



Classic 3 Stripes Midflap Only \$75

Other appliques available. See back of form.

Office Use Only

Order Date: _____

S.O.#: _____

Name: _____

Address: _____

City: _____ State: _____ Zip: _____

Country: _____ Telephone: _____

Material

- Parapac
- Cordura

Colors

- 1) _____
- 2) _____
- 3) _____

o Stripes on Midflap/Hat

- 4) _____
- 5) _____
- 6) _____
- 7) _____

Back Pad Color:

Trim Tape Color:

Type 4 Shoulder Straps

Embroidery \$

Text: _____

o **Block** o *Script*

Thread Color: _____

Notes

Prices are subject to change

Jump Shack

1665 N. Lexington Ave. #106
 Deland, FL 32724 USA
 Ph: (386) 734-5867
 FAX: (386) 734-8464
 E-mail: sales@jumpshack.com
 Website: www.jumpshack.com

Custom Applique Price & Design Chart

rev. April 2005

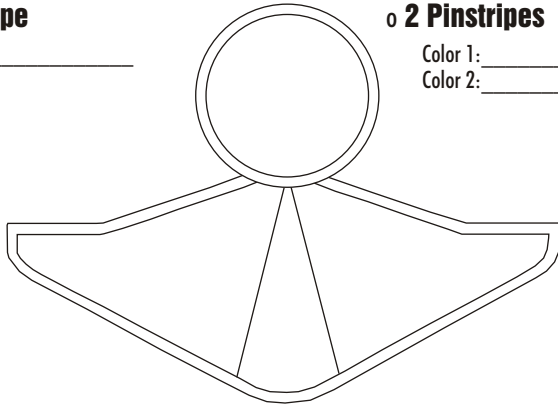
Note: Pinstripes are not available on the SRP (Small Reserve Pilotchute) hat. If you would like pinstripes on an SRP rig, they must be on the midflap only. \$75 for any pattern.

If you would like an applique different than the ones shown here, you may design your own custom applique. The price is **\$40/hour** to cover the cost of designing custom patterns.

Midflap Only

o 1 Stripe

Color: _____

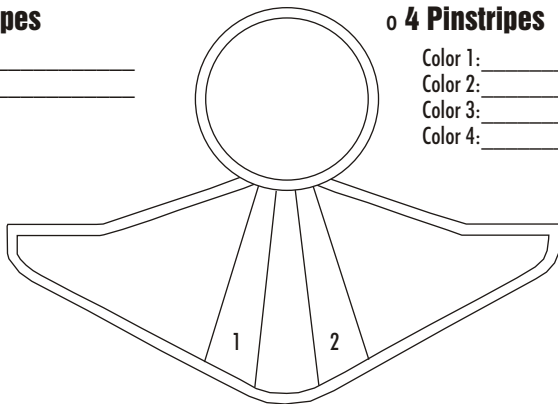


o 2 Pinstripes

Color 1: _____
Color 2: _____

o 2 Stripes

Color 1: _____
Color 2: _____

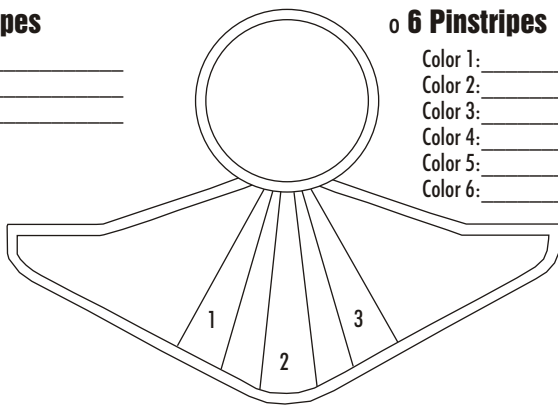


o 4 Pinstripes

Color 1: _____
Color 2: _____
Color 3: _____
Color 4: _____

o 3 Stripes

Color 1: _____
Color 2: _____
Color 3: _____

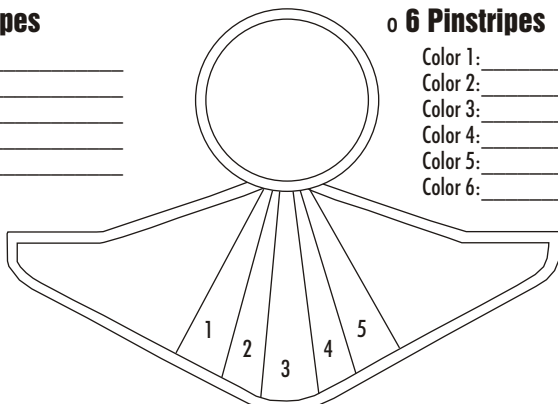


o 6 Pinstripes

Color 1: _____
Color 2: _____
Color 3: _____
Color 4: _____
Color 5: _____
Color 6: _____

o 5 Stripes

Color 1: _____
Color 2: _____
Color 3: _____
Color 4: _____
Color 5: _____



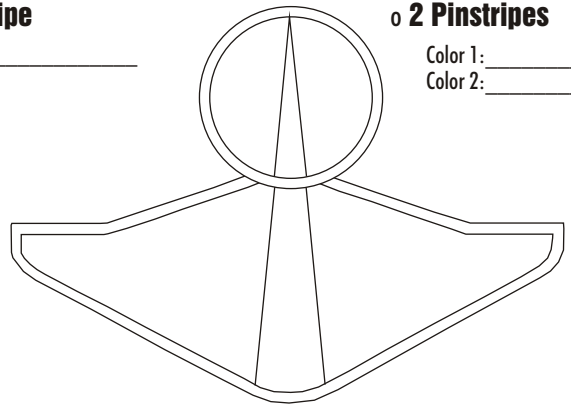
o 6 Pinstripes

Color 1: _____
Color 2: _____
Color 3: _____
Color 4: _____
Color 5: _____
Color 6: _____

Midflap & Hat

o 1 Stripe

Color: _____

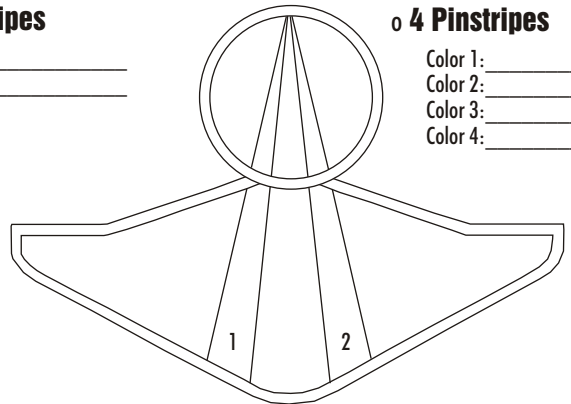


o 2 Pinstripes

Color 1: _____
Color 2: _____

o 2 Stripes

Color 1: _____
Color 2: _____

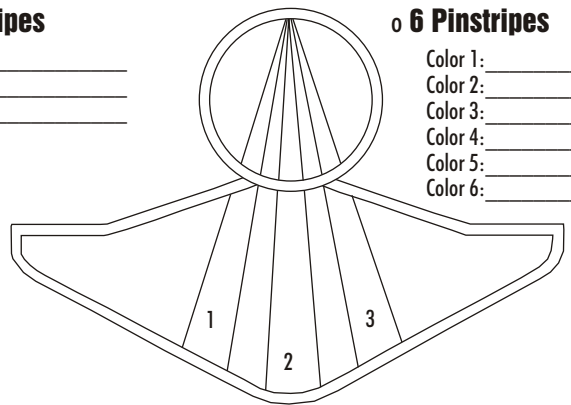


o 4 Pinstripes

Color 1: _____
Color 2: _____
Color 3: _____
Color 4: _____

o 3 Stripes

Color 1: _____
Color 2: _____
Color 3: _____

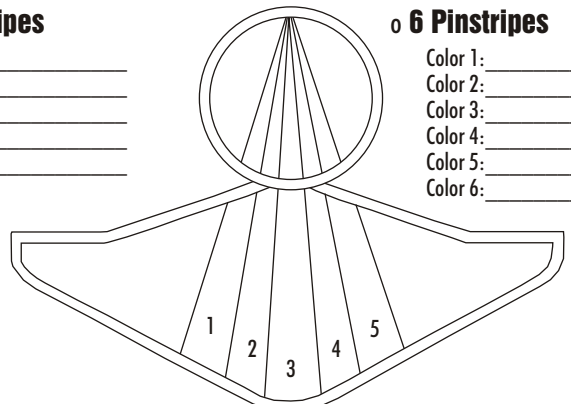


o 6 Pinstripes

Color 1: _____
Color 2: _____
Color 3: _____
Color 4: _____
Color 5: _____
Color 6: _____

o 5 Stripes

Color 1: _____
Color 2: _____
Color 3: _____
Color 4: _____
Color 5: _____



o 6 Pinstripes

Color 1: _____
Color 2: _____
Color 3: _____
Color 4: _____
Color 5: _____
Color 6: _____